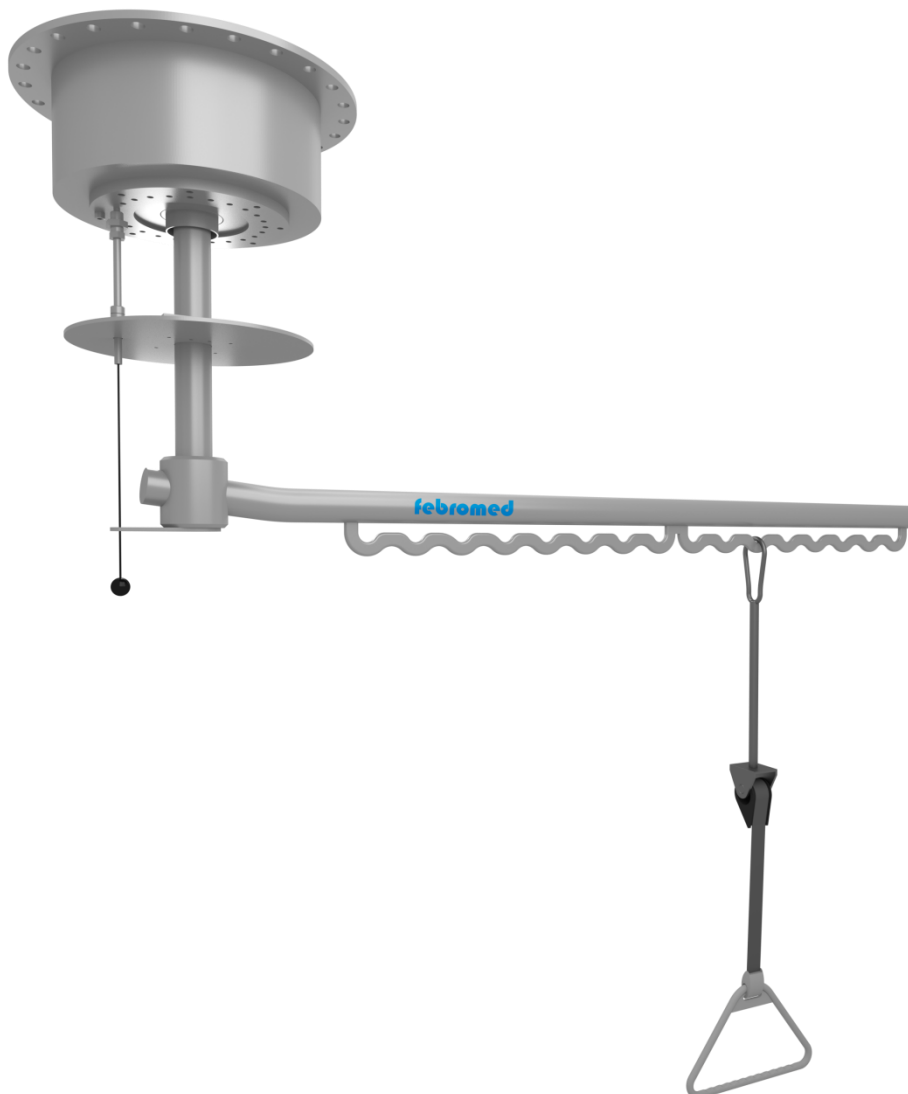


get up®

The Swiveling Hold System for Radiology



Instruction Manual

F-049 GB Rev00 02.05.2019

Instruction Manual: get up® hold system

Item number: getup2018

1 Legal Information

Manufacturer:

febromed GmbH & Co. KG

Am Landhagen 52

D-59302 Oelde

Contact:

Phone: +49 0 2522 30532

Fax: +49 0 2522 308489

Internet: www.febromed.de

E-Mail: info@febromed.de

Registry Court:

Amtsgericht Münster

HRB no.: 10077 Febromed-Beteiligungs-GmbH

HRA no.: 7608 Febromed GmbH & Co.KG

Ident.-No.:

DE 814491165

Directors:

Dr. Reinhold Festge

Hubert Bromann

Protection Note:

The passing on as well as the duplication of this document, the utilization and the disclosure of its contents are prohibited, and also expressly not permitted.

Infringement leads to compensation.

In case of a patent, utility model or design model registration, all rights are reserved.

Nominal Charge:

24,00 €

2	Table of Contents	
1	Legal Information	2
2	Table of Contents	3
3	Preface	5
4	About the Instruction Manual	5
4.1	Purpose of the Instruction Manual	5
4.2	Users of the Hold System	5
4.3	Using the Instruction Manual	5
5	Usage	6
5.1	Intended Use	6
5.2	Misuse	6
6	Warranty	7
7	Technical Data	7
8	Componenten	8
9	Function	10
9.1	Swiveling the get up®	10
9.2	Altering the Position of the Triangle Handle	10
9.3	Adjusting the Handle Height	11
9.3.1	Lowering the Handle	11
9.3.2	Raising the Handle	12
10	Preparation	12
11	Maintenance	14
12	Spare Parts	14
13	Disposal	15
14	Customer Service	15
15	Customer Satisfaction	15
16	List of Figures	15
17	Appendix	16

17.1	Appendix A: Instruction: get up® Hold System.....	16
17.2	Appendix B: EC Declaration of Conformity.....	17
17.3	Appendix C: Suitable Cleaning Agents and Surface Disinfectants	18
17.4	Appendix D: Maintenance History File: get up® Hold System - Annual Maintenance Activities	19
17.5	Appendix E: Product Options/Extensions.....	20
18	Notes	21

3 Preface

We developed the get up® in close collaboration with medical staff while focusing on the needs and processes in healthcare. The result was an individually adjustable swiveling system, which is functioning as a stand-up, hold and lay-down aid for daily routines in hospitals.

To guarantee durability and low maintenance requirements, we put great emphasis on a purely mechanical construction without the need for electronics or cabling.

To meet all individual requirements, the get up® is provided with a swivel arm of adjustable length, a number of eyelets and the possibility of using various supplementary components.

4 About the Instruction Manual

① Handling the Instruction Manual

- Read the instruction manual completely before using the get up® for the first time.
- Always store the instruction manual close to the get up®.
- When entrusting the get up® to a third party, always include the instruction manual.

4.1 Purpose of the Instruction Manual

The instruction manual describes the proper use of the get up® hold system.

The application of the instruction manual is intended to prevent damage to the get up® as well as the equipment and to protect the health and life of personnel and patients.

If used as described in the instruction manual, the service life of the hold system will also be extended.

4.2 Users of the Hold System

The get up® hold system may only be operated under the supervision of personnel who have been instructed in the use of the get up®.

Regular maintenance and inspection must be carried out by qualified staff before each use. Annual maintenance must be carried out by qualified staff who are familiar with the maintenance of medical devices. These staff are henceforth referred to as maintenance personnel.

The evidence of instruction, which required in this respect, is to be documented in Appendix A of the instruction manual.

4.3 Using the Instruction Manual

It is important to study the manual in its entirety. Do not leave out any chapters.

The get up® must not be used until the instruction manual has been fully understood. If you have any questions, please contact our hotline:

febromed hotline

📞 + 49 (0) 2522 / 30 -532

All chapters of this instruction are listed in the table of contents on pages 3 and 4. The

illustrations shown in this instruction manual are intended to clarify the instructions described in the texts. In the following table, labels for instructions are listed to illustrate the degree of hazards. The labels are for orientation only. The classification of the hazard potential is only exemplary, a higher potential must be taken into account. febromed assumes no liability for the classification.

Signal Word and Meaning

① Information Important to Know

ATTENTION

Action can cause **property damage** or **environmental damage**

CAUTION

Action can cause **minor injury**

WARNING

Action can cause **considerable property damage** or **considerable injury**

DANGER

Action can cause **serious injury** or **death**

5 Usage

5.1 Intended Use

The chapter describes the use intended by the manufacturer.

The get up® is a 360° swiveling hold system, which was designed as a support which patients in the radiology department can hold on to when standing up and laying down.

CAUTION

Danger to Health Due to Damaged or Soiled Surfaces

A damaged surface of the handle may cause injury to patients and medical staff. A soiled surface increases the risk of patients and qualified staff falling ill.

- Check the handle of the get up® for cracks and other damage before each use.
- Replace a torn or damaged handle before use.
- Check the get up® for pollution before each use.
- Remove any dirt before use.

ATTENTION

Property Damage Due to Overloading

Exceeding the maximum weight limit can cause damage to the material of the get up®.

- The get up® can be loaded with a maximum load of **135 kilograms**.

5.2 Misuse

The chapter describes the use defined as misuse by the manufacturer.

ATTENTION

Property Damage Due to Suspended Objects

Die Verwendung des get up® als Kran oder Aufhängemöglichkeit von Gegenständen kann

zu Schäden am get up® führen.

- Do not hang any objects on the get up®.
- Do not move any loads with the get up® - misuse as a crane.

WARNING

Risk of Injury Due to Overloading

Employing the get up® as a swinging rope can lead to injuries for patients and medical staff.

- Do not employ the get up® as a swinging rope.

List only exemplary

6 Warranty

The legal warranty on the get up® amounts to **two years** starting from the date of delivery.

This warranty does not include wear parts.

ⓘ The warranty expires if you:

- damage the get up® willfully.
- misuse the get up®.
- disregard the intended use as per instruction manual.
- have a repair carried out by a non-expert.

7 Technical Data

The following chart lists all technical data of the get up® (technical values may vary depending on design):

Components	Technical Data
Type Designation	get up®
Item Number	get up2018
Height	max. 1.950mm, see order drawing
Width	550mm
Depth	max. 2.450mm, see order drawing
Weight	Up to 115kg
Maximum Weight	135kg
Ambient Temperature	+5°C up to +40°C

8 Komponenten

The chapter concisely displays the get up® with all its components.

Komponenten des get up®

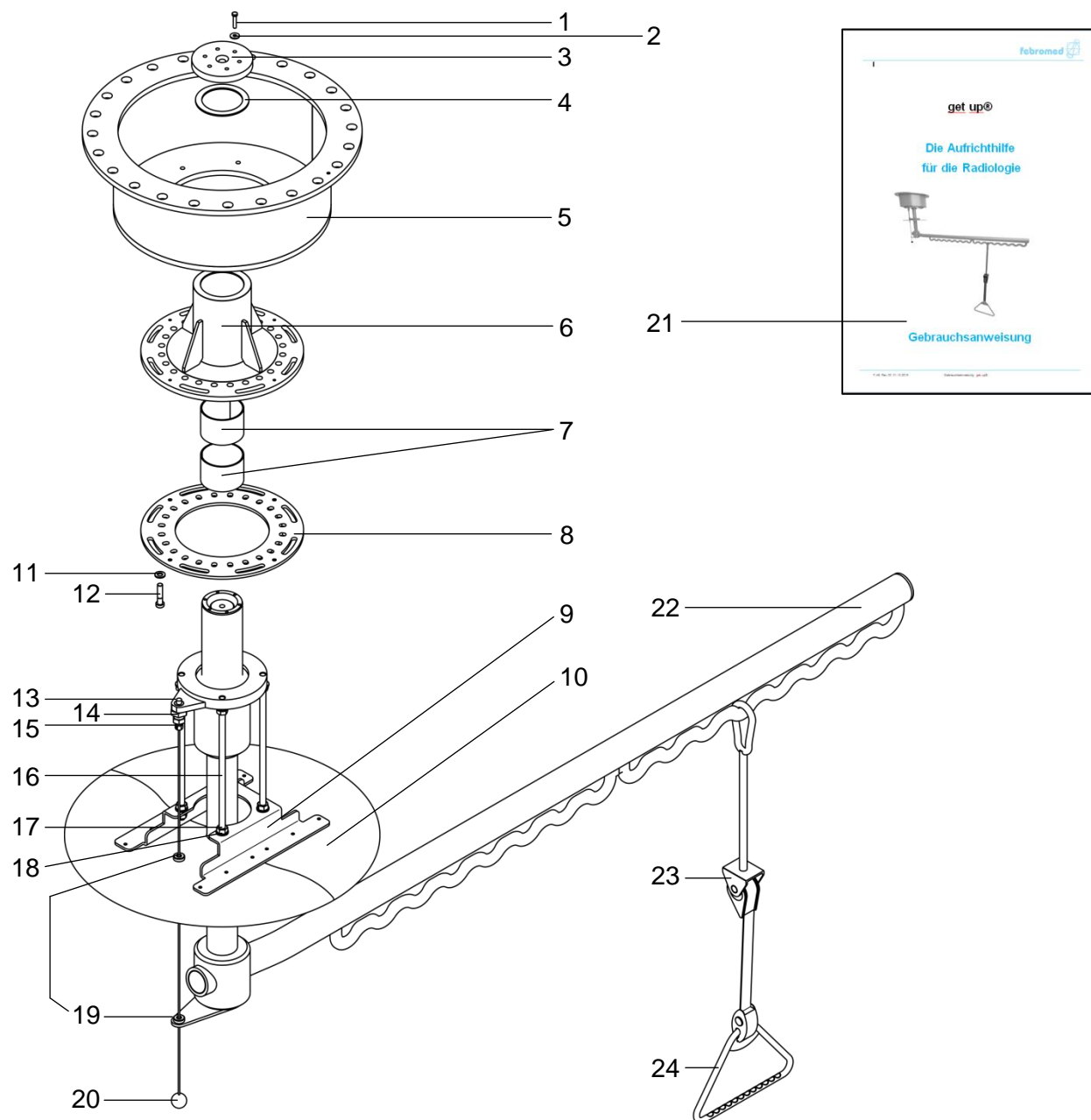


Abb.1: Components of the get up®

Position	Volume	Spare Part Number	Part Name
1	6	ZK0000_075	Hexagon screw
2	6	ZK0000_038	3D washer
3	1	VARIO-7950_012	Lid
4	1	VARIO-7950_011	Thrust ring
5	1	VARIO-7950_013	Ceiling cone
6	1	VARIO-7950_010	Bearing flange
7	2	ZK0000_072	Socket
8	2	VARIO-7950_029	Ring
9	1	VARIOD-7950_067	VTZ profile
10	1	VARIO-7950_018	Decor plate
11	8	KZ0000_139	Washer 10
12	8	ZK0000665	Cylinder with half head M10x45
13	1	ZK0000_007	Locking bolt
14	1	VARIOD-7950_057	Cap nut with bore
15	1	ZK0000_073	Hexagon nut M20x1,5
16	4	ZK_0000_434	Threaded rod M12
17	12	ZK0000_263	Washer
18	12	ZK0000261	Nut
19	2	VARIOD-7950-064	Fishing-line guide
20	1	VARIOD-7950-051	Towing rope incl. Ball and screw connection
21	1	F-049 GB	Instruction Manual
22	1	VARIO-7950_001	Swivel tube
23	1	getup 002	Handle suspension
24	1	getup 010	Triangle handle Automatic

9 Function

9.1 Swiveling the get up®

WARNING

Property Damage Due to Collision

Objects which are located within the pivot radius of the get up® can be permanently damaged by collisions.

- Make sure that there are no objects located within the pivot radius of the get up®.
- Collisions with fixed objects, furniture and walls can be prevented by installing a turning radius limitation.

1. Grab the triangle handle with one hand.
2. Tighten the strap by pulling the triangle handle slightly downwards.
3. With the other hand, pull the rope downwards and keep it pulled.
- ✓ The lock is now released and the get up® can be swiveled.
4. Swivel the get up® to the desired position.
5. Loosen the pull rope.
6. Swivel the get up® a few degrees further in any direction.
- ✓ The lock audibly engages, the get up® can now be used.
7. Make sure that the lock has engaged by trying to swivel the get up®.

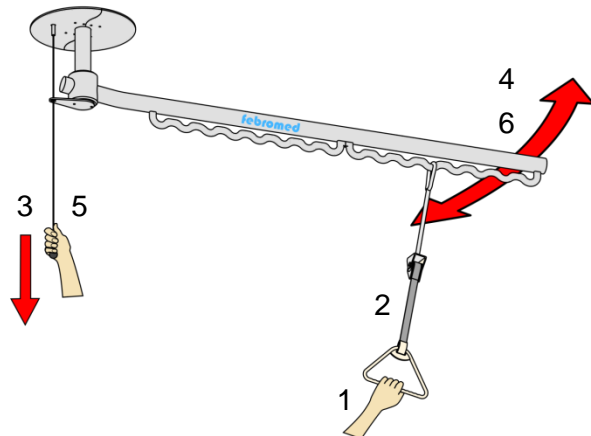


Abb.2: Swiveling the get up®

9.2 Altering the Position of the Triangle Handle

To achieve an optimum positioning of the triangle handle, the get up® has one or two mounting rails with several mount points, depending on the model.

1. Grab the handle with your hand.
2. Heben Sie die Haltegriffaufhängung an, bis sie den Schwenkarm des get up® berührt.
3. Move the handle mounting to the desired position.
4. Lower the handle mounting until it snaps into a mount point.
- ✓ The triangle handle is now located in the desired location and the get up® can be used.
5. Make sure that the grab handle suspension is engaged in the suspension point.

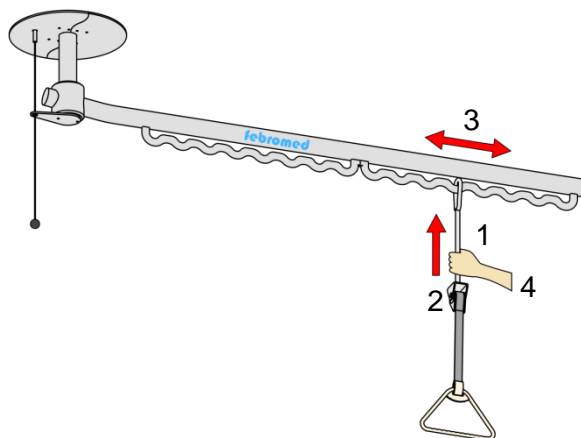


Abb.3: Altering the Position of the Triangle Handle

9.3 Adjusting the Handle Height

The get up® has a triangle handle swiveling 360° with a continuously adjustable strap. To ensure a secure grip, you can optimally adjust the handle height to the patient's height.

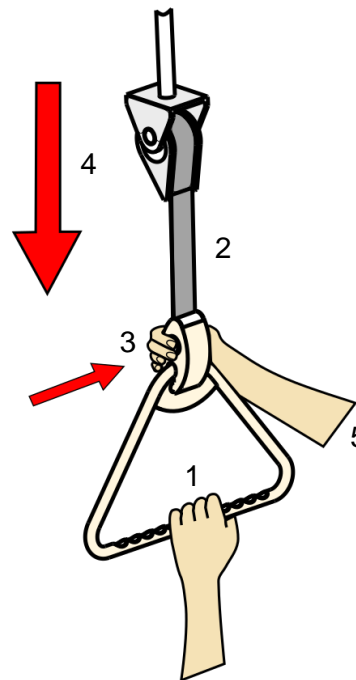


Abb.4: Lowering the Triangle Handle

9.3.1 Lowering the Handle

1. Grab the triangle handle with one hand.
2. Lightly pull down the triangle handle to tighten the strap.
3. Push and hold the button on the belt buckle with the other hand.
- ✓ The belt buckle is now unfastened.
4. Pull down the triangle handle until the desired strap length is reached.
5. Release the button on the belt buckle.
- ✓ The belt buckle snaps audibly.
6. Make sure that the belt buckle is engaged by means of a tension test.

9.3.2 Raising the Handle

1. Grab the handle with one hand.
2. Lightly pull down the triangle handle to tighten the strap.
3. Push and hold the belt buckle with the other hand.
- ✓ The belt buckle is now unfastened.
4. Reduce the friction on the triangle handle until the handle is lifted to the desired position.
5. Release the button on the belt buckle.
- ✓ The belt buckle snaps audibly.
6. Make sure that the handle has been raised as desired.

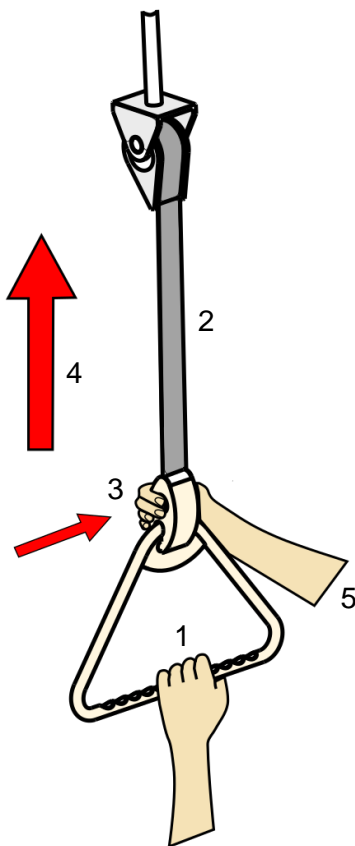


Abb.5: Raising the Triangle Handle

10 Preparation

The get up® must be disinfected for cleaning.
The following warnings must be observed:

ATTENTION

Loss of Efficacy Due to Inappropriate Aids
Poorly absorbent aids lead to insufficient disinfection.

- Only use absorbent material, e.g. fleece.

ATTENTION

Environmental Damage Due to Disinfectants
If surface disinfectants find their way into soils and waters, the environment can be put at risk.

- Always dispose of surface disinfectants without polluting surface waters or the sewer system.
- Follow the disposal instructions of the disinfectant manufacturer.

! WARNING

Chemical Burn on Hair or Skin
If surface disinfectant finds its way to unprotected hair or skin, chemical burns can occur.

- Always wear protective gloves when in contact with surface disinfectant; Protective gloves made of nitrile or butyl rubber are particularly suitable.
- **If brought into contact with hair or skin:** Immediately wash the surface disinfectant off the skin and hair using tap water of drinking quality.

! WARNING

Serious Eye Damage

If surface disinfectant finds its way to unprotected eyes, serious damage can occur.

- Always wear protective glasses with side protection when in contact with surface disinfectant.
- **If brought into contact with eyes:**
Immediately rinse the eyes carefully for several minutes using tap water of drinking quality.
Remove your contact lenses beforehand if possible.
- Follow the safety instructions of the disinfectant manufacturer.

WARNING

Danger of Slipping Due to Wet Floors

Floors soaked in surface disinfectant are slippery and can cause people to fall.

- Immediately remove spilt surface disinfectant with an absorbent material such as a cloth or fleece.

WARNING

Property Damage Due to Unsuitable Surface Disinfectants

Unsuitable surface disinfectants can permanently damage the surface of the get up®.

- Use the surface disinfectants approved by the manufacturer.
- **A list of suitable and approved disinfectants can be found in chapter 17.3 – page 17.**
- Only use surface disinfectants of an alcoholic strength by volume of **less than 25 g ethanol (94 %)** per 100 g disinfectant.
- Only use surface disinfectants of an alcoholic strength by volume of **less than 35 g propan-1-ol** per 100 g disinfectant.
- Only use surface disinfectants:

- - **without iodine.**
- - **without ammonia.**
- - **without hydrochloric, phosphoric and acetic acid.**
- Only use surface disinfectants which **neither scratch nor scrub.**

DANGER

Danger of Fire and Explosion

If surface disinfectants are brought into contact with ignition sources such as open flames, fire and explosions can occur.

- Comply with the fire and explosion safety regulations when employing alcoholic surface disinfectants.
- Always use surface disinfectants out of the reach of ignition sources.
- **In case of fire:**
Only control the burning area with extinguishing powder, foam, water spray or carbon dioxide (CO₂) as suitable extinguishing agents.
- Observe the instructions of the disinfectant manufacturer.

1. Disinfect the get up® **after each** use.
 2. Dilute the surface disinfectant with lukewarm water according to the manufacturer specifications.
 3. Dampen the fleece with the mixture of surface disinfectant and tap water of drinking quality.
 4. Moisten the get up® with the fleece.
 5. Allow the surface disinfectant to take effect according to the manufacturer specifications.
 6. Wipe the get up® with a fleece soaked in tap water of drinking quality.
- ✓ The get up® is now disinfected.

11 Maintenance

Regular maintenance, which must be performed before each use of the get up®, as well as annual maintenance are carried out by instructed personnel (see chapter 4.2, page 5).

The following chart lists all necessary maintenance services for the get up®:

Maintenance Work	Description
Regular Visual Inspection	<ul style="list-style-type: none"> ■ Inspecting the towing rope of the get up® for cracks and other damages ■ Inspecting the get up® for pollution ■ Inspecting the rubber buffers of the turning radius limitation for abrasion
Regular Functional Test	<ul style="list-style-type: none"> ■ Inspecting the rewind mechanism of the strap for proper function ■ Inspecting the function of the unicycle mechanism of the swivel arm

The annual maintenance and repairs have to be documented in the maintenance history file Appendix D.

📞 Repairs

Repairs may only be carried out by febromed or a specialist, otherwise the warranty expires:

Febromed hotline:

📞 + 49 (0) 2522 / 30 -532

12 Spare Parts

If you need spare parts for your get up®, please contact our customer service (chapter 14, p. 15).

ATTENTION

Property Damage Due to Improper Installation of Spare Parts

The use of unsuitable spare parts as well as the improper installation of spare parts can cause damage to the get up®.

- Only use original spare parts.
- Have the spare parts installed by a specialist only.
- Carry out a functional test after assembly.

13 Disposal

Before disposing of the get up®, you have to take note of the following warning:

ATTENTION

Violation of Local Regulations

Violating the local regulations when disposing of the get up® may result in legal consequences.

- Dispose of the get up® according to the local regulations
- Dispose of all packaging materials in accordance with local regulations.

For a disposal fee, you can send the get up® to febromed and febromed will dispose of it in accordance with the applicable disposal regulations.

14 Customer Service

The customer service can be reached in the following ways:

📞 Customer Service
 febromed GmbH & Co. KG
 Am Landhagen 52
 D-59302 Oelde

Phone: +49 0 2522 30532
 Fax: +49 0 2522 308489
 Internet: www.febromed.de
 E- mail: info@febromed.de

15 Customer Satisfaction

The product development of febromed has the motto:

„If there is a way to do something better, it is our way!“

We continuously develop our products for the benefit of people and the environment. At every stage of development, we attach particular importance to improving the benefits for the customer.

The ideas and assessments of our customers help us to constantly improve our products.

In order to share your experience and opinion with us, please contact our hotline or send us an e-mail.

16 List of Figures

Abb.1: Components of the get up®.....	8
Abb.2: Swiveling the get up®.....	10
Abb.3: Altering the Position of the Triangle Handle.....	11
Abb.4: Lowering the Triangle Handle.....	11
Abb.5: Raising the Triangle Handle	12

17 Appendix

17.1 Appendix A: Instruction: get up® Hold System

Instructee	Signature																
	Name																
	Department of the Company																
Instructor	Signature																
	Name																
	Department of the Company																
Location																	
Date of the Instruction																	

17.2 Appendix B: EC Declaration of Conformity

In accordance with the EC Regulation (EU) Nr.: 305/2011

We,

febromed GmbH & Co. KG
Zum Mühlenteich 1
D-59302 Oelde

hereby declare, under our sole responsibility, that our products comply with the standards due to their design and construction as well as the design we have placed on the market.

In the event of a change to the product not agreed with us, this declaration loses its validity.

Product Description	Stand-up, hold and lay-down aid for radiology
Type of Product	get up® swiveling hold system
Relevant EC-Regulation	Regulation (EU) Nr. 305/2011 (dated 09. März 2011)

Date: 01.04.2019

Manufacturer's signature: 

Hubert Brommann / Director

17.3 Appendix C: Suitable Cleaning Agents and Surface Disinfectants

The following table lists all cleaning agents and surface disinfectants suitable for get up® and approved by the manufacturer:

Product Name	Manufacturer
mikrozid® AF wipes	Schülke & Mayr GmbH
pursept® AF	
terralin® protect	
cleanisept® wipes forte maxi	Dr. Schuhmacher
Dismozon® pur wipes	BODE Chemie GmbH
Mikrobac® Virucidal Tissues	

17.4 Appendix D: Maintenance History File: get up® Hold System - Annual Maintenance Activities

Serial no.:	Location:	Location:	Location:	Location:	Location:	Location:	Location:	Department:	Location:
Date	Check for cracks and damage	Check for pollution	Check rubber buffer	Check rewind mechanism	Check unicycle mechanism	Repairs	Signature		
	<input type="checkbox"/> i. O. <input type="checkbox"/> n. i. O.	<input type="checkbox"/> i. O. <input type="checkbox"/> n. i. O.	<input type="checkbox"/> i. O. <input type="checkbox"/> n. i. O.	<input type="checkbox"/> i. O. <input type="checkbox"/> n. i. O.	<input type="checkbox"/> i. O. <input type="checkbox"/> n. i. O.				
	<input type="checkbox"/> i. O. <input type="checkbox"/> n. i. O.	<input type="checkbox"/> i. O. <input type="checkbox"/> n. i. O.	<input type="checkbox"/> i. O. <input type="checkbox"/> n. i. O.	<input type="checkbox"/> i. O. <input type="checkbox"/> n. i. O.	<input type="checkbox"/> i. O. <input type="checkbox"/> n. i. O.				
	<input type="checkbox"/> i. O. <input type="checkbox"/> n. i. O.	<input type="checkbox"/> i. O. <input type="checkbox"/> n. i. O.	<input type="checkbox"/> i. O. <input type="checkbox"/> n. i. O.	<input type="checkbox"/> i. O. <input type="checkbox"/> n. i. O.	<input type="checkbox"/> i. O. <input type="checkbox"/> n. i. O.				
	<input type="checkbox"/> i. O. <input type="checkbox"/> n. i. O.	<input type="checkbox"/> i. O. <input type="checkbox"/> n. i. O.	<input type="checkbox"/> i. O. <input type="checkbox"/> n. i. O.	<input type="checkbox"/> i. O. <input type="checkbox"/> n. i. O.	<input type="checkbox"/> i. O. <input type="checkbox"/> n. i. O.				
	<input type="checkbox"/> i. O. <input type="checkbox"/> n. i. O.	<input type="checkbox"/> i. O. <input type="checkbox"/> n. i. O.	<input type="checkbox"/> i. O. <input type="checkbox"/> n. i. O.	<input type="checkbox"/> i. O. <input type="checkbox"/> n. i. O.	<input type="checkbox"/> i. O. <input type="checkbox"/> n. i. O.				
	<input type="checkbox"/> i. O. <input type="checkbox"/> n. i. O.	<input type="checkbox"/> i. O. <input type="checkbox"/> n. i. O.	<input type="checkbox"/> i. O. <input type="checkbox"/> n. i. O.	<input type="checkbox"/> i. O. <input type="checkbox"/> n. i. O.	<input type="checkbox"/> i. O. <input type="checkbox"/> n. i. O.				
	<input type="checkbox"/> i. O. <input type="checkbox"/> n. i. O.	<input type="checkbox"/> i. O. <input type="checkbox"/> n. i. O.	<input type="checkbox"/> i. O. <input type="checkbox"/> n. i. O.	<input type="checkbox"/> i. O. <input type="checkbox"/> n. i. O.	<input type="checkbox"/> i. O. <input type="checkbox"/> n. i. O.				

Form no. F-P-33 Further forms can be ordered from febromed.

17.5 Appendix E: Product Options/Extensions

Item Number	Product Description
get up-UK	<p>Substructure for Swiveling Hold System get up®</p> <ul style="list-style-type: none"> • Installation of the suspended ceiling • Minimum height of the suspended ceiling: 320mm • Maximum height of the suspended ceiling : 1.500mm • static elements primed
get up 002	<p>Handle Suspension</p> <ul style="list-style-type: none"> • Holder for handle 360° rotatable, can be attached variably to the holder on the get up® • Handle with straightening belt, Automatic • For optimal adjustment of the handle height to the physical characteristics of the user • Recommended mounting height at the get up® approx. 2.250 mm
Vario-SB	<p>Turning Radius Limitation</p> <ul style="list-style-type: none"> • to limit the swivel angle, prevents the striking of the Swivel arm on furniture, walls, appliances
Get up 008	<p>Additional Mounting Rail</p> <ul style="list-style-type: none"> • made of stainless steel • 8 additional suspension points, 100mm locking distance
Get up 010	<p>Replacement Handle</p> <ul style="list-style-type: none"> • Handle with erecting belt, Automatic • triangular • height-adjustable • for mounting in the holder of the grab handle suspension

18 Notes

febromed GmbH & Co. KG

Am Landhagen 52

D-59302 Oelde

Phone: +49 0 2522 30532

Fax: +49 0 2522 308489

Internet: www.febromed.de

E-mail: info@febromed.de